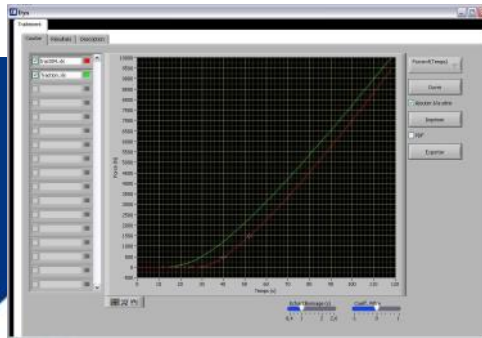


## DYNATECH 1.5

UNIVERSAL TESTING  
MACHINE : SINGLE - COLUMN



Dynatech 1.5



Commercial reference: M039

Type of test:  
Mechanical properties

Type of materials:  
All

Standards:  
...

### INTRODUCTION

With our experience of materials, teaching, and modernization of machine Universal testing, Dynatech 1.5 is the ideal tool for quality control and pedagogy (teaching technique).

It is indeed a simple version of use and performance is proposed. Test and its use does not require extensive training, which makes 1.5 Dynatech easily integrated into a training program or a quality control laboratory.

The software has been developed to best minimize setup time and processing test. The software is made

by technicians for technicians.

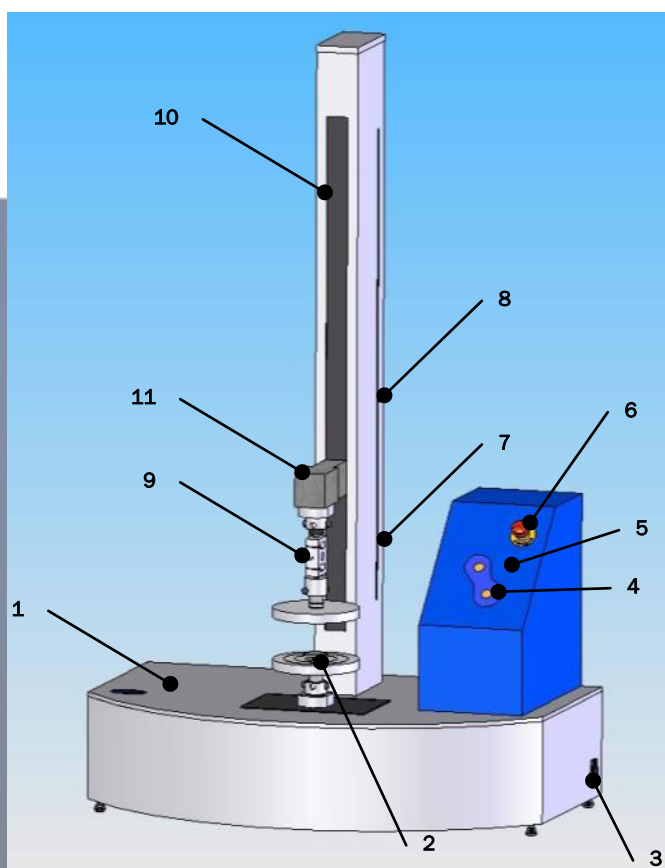
These technical features make this machine tension / compression separately. Accessories include without limitation, our factory can design and manufacture the accessories you need ■

## FIELD OF APPLICATION

The Dynatech 1.5 is fully dedicated to quality control and technical education. By definition, this instrument covers almost all areas.

Only his capacity limits its use: 500 daN ■

## DESCRIPTION



Caption:

- |                                    |                            |
|------------------------------------|----------------------------|
| 1- Work support                    | 7- Down stop               |
| 2- Jaws (removable)                | 8- Upper stop              |
| 3- Power supply                    | 9- Load sensor (removable) |
| 4- Control panel                   | 10- Protection bellows     |
| 5- Controls of the movable bracket | 11- Movable bracket        |

A ball screw driven by a motor / drive drives a movable bracket on which are placed a force sensor and a jaw. Another bit is attached to the chassis at the vertical of the first.

An optical system enables speed control via appropriate software. The values of force and displacement are continuously acquired and stored in a file "text" on the computer where the software is installed.

The advantage of a single-column frame is large workspace offered ■

## TIPS

The frame should be chosen carefully as it determines the maximum capacity of a test. Here, in this version, the maximum capacity is 500 daN.

However, as the force sensor and accessories (clamps, strain, oven, oven, etc..) Are mobile, all types of tests requiring a uniaxial stress are possible

## AVAILABLE ACCESSORIES

You will find below some examples of accessories. The list is not exhaustive. We can supply all kinds of accessories, standard or custom ■

## LOAD SENSOR

We work in partnership with HBM, recognized worldwide for its impeccable quality force sensors.

☛ Types of force sensors available:

- ◆ « S » - More sensitive to lateral forces, but more accurate. Capacity: 200 daN and 500 daN.
- ◆ « S », with mechanical stop - Same features as "S", but with a mechanical stop. Capacity: 2 daN, 5 daN, 10 daN, 25 daN, 50 daN and 100 daN.
- ◆ « Annular » - Robustness, but at a higher cost. The adaptation of the jaws can be tricky.

The sensor type is offered according to your future tests. Capacity: 125 daN, 250 daN and 500 daN.



Annular sensor

Mechanical



Load sensor « S » with mechanical stop



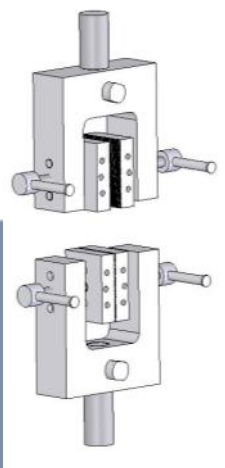
Load sensor « S »

Other load sensors, contact us

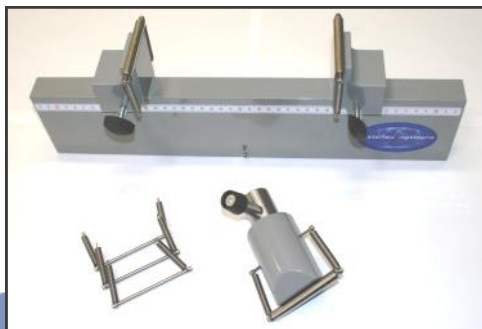
## GRIPS

We offer a wide range of grips and other test accessories. It depends on the type of test, the type or types of materials tested, the performance of your materials.

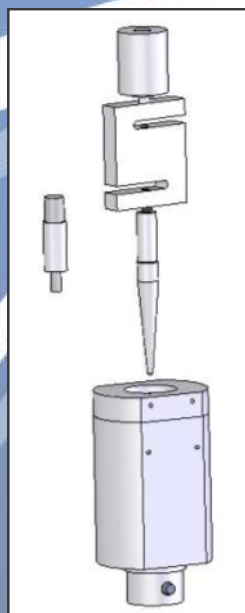
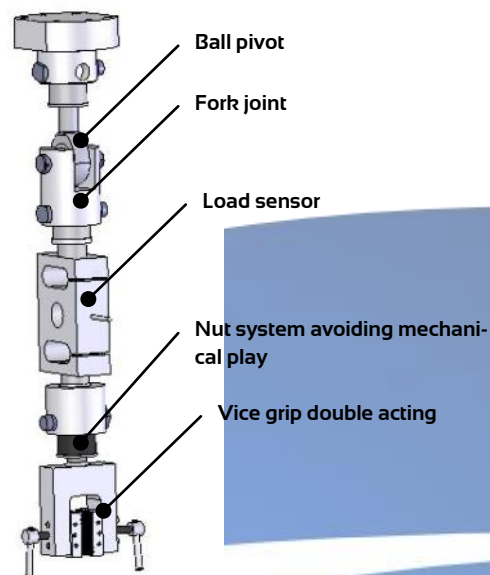
Exemple d'un montage complet pour matériau très rigides. Les chapes associées aux rotules éliminent tout risque d'effort dé-



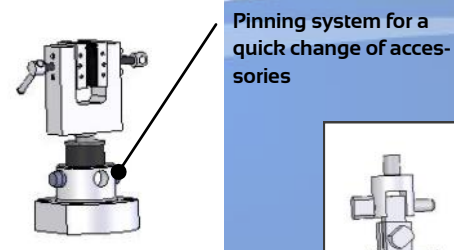
Vice grip double acting



Bendig jig 3 points



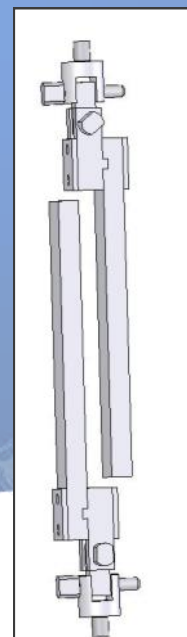
Puncture test - packaging version



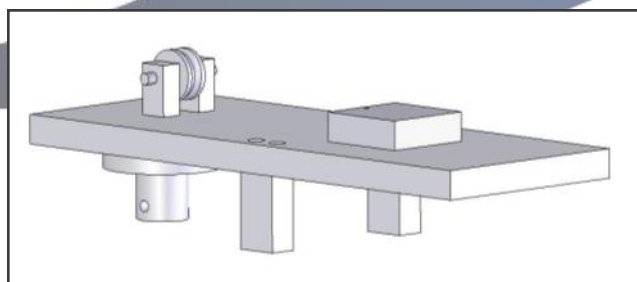
Pinning system for a quick change of accessories



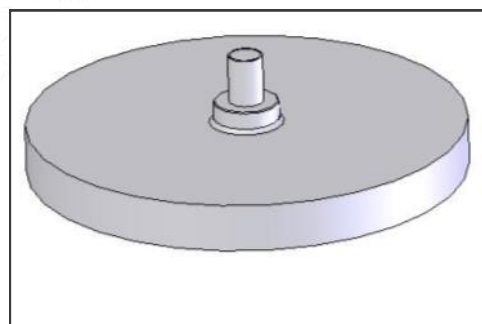
Test puncture - Textile version



Shear tests on glues



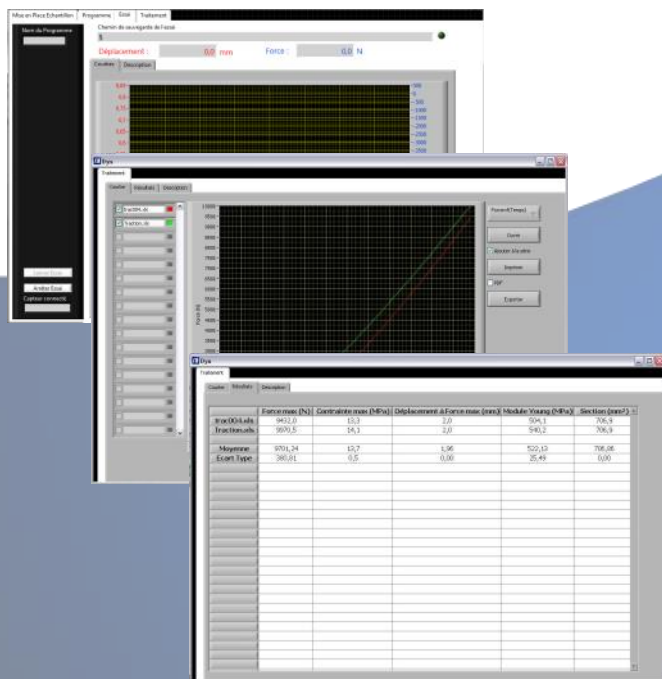
Jaws for determining the slipping of packaging plastic films.



Compression plate: diameter and material to define when ordering. Different markings are possible. The most classic is the concentric.

## ERGONOMIC AND EFFICIENT SOFTWARE

Dynatech software has been developed with our customers, whether industrial or schools. We propose a software that is easy to use and does not require extensive training. Our goal: to allow the user to spend as much time analyzing its results, and not the implementation of the test or analysis! ■



## TECHNICAL CHARACTERISTICS\*

Capacity:	5 kN
Accuracy on load:	0.5 according to ISO 7500
Sampling:	1 kHz in input 20 Hz in recording
Maximum stroke:	800 mm 1010 mm in option
Position resolution:	10 $\mu\text{m}$
Speed:	0.1 à 600 $\text{mm.s}^{-1}$
Additional inputs:	option
Output:	2 x RS 232
Software:	Dynatech, included
Weight:	82 kg
Dimensions (WxDxH) :	1100x720x1800 mm
Electrical requirements:	single phase, 230 V, 50 hz

## ACCESSORIES SUPPLIED

- 1 load sensor (maximum 500 daN)
- IEC power cord
- Control software, acquisition and processing of results (compatible with Windows XP, Vista and 7)
- Calibration certificate
- User manual
- CE Certificat ■

## OPTIONS

- Load sensors
- Grips
- Custom grips ■

RELIABILITY

ATTRACTIVE  
COST

SECURITY

ERGONOMIC

SCALABLE

### MATÉRIAU INGÉNIERIE SARL

Vallon de Fontanes  
2, rue des Acacias  
F-30520 Saint-Martin-de-Valgalgues

Phone: +33 (0)466 922 060

Fax: +33 (0)466 253 980

Email: info@mat-ing.com

### OUR REPRESENTATIVE: